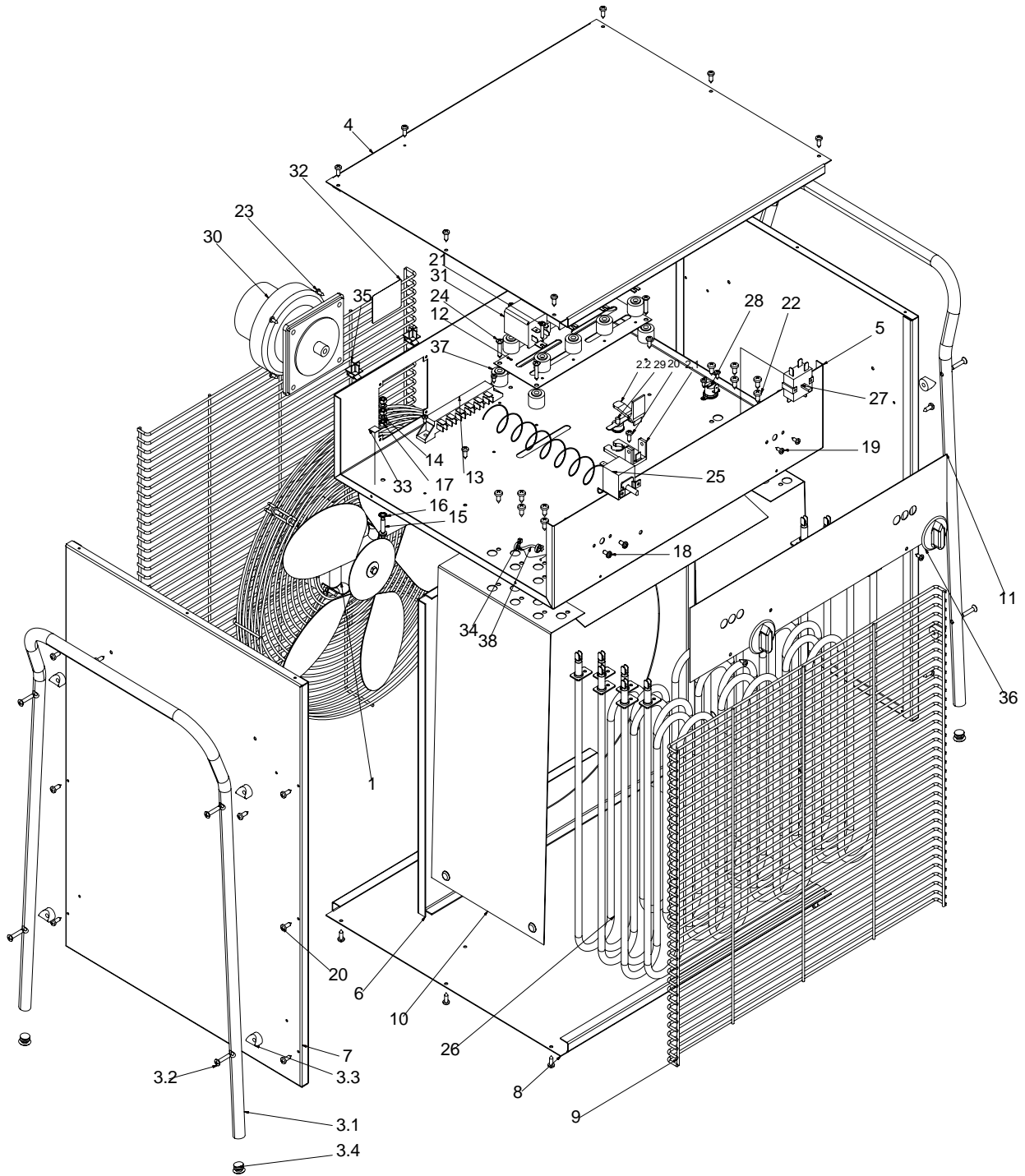


MASTER ELECTRIC HEATERS

MODEL B 22 EPA

ILLUSTRATED PARTS BREAKDOWN



MASTER ELECTRIC HEATERS B 22 EPA 22kW

Pos.	Description	Code	Qty.
1	KIT MOTOR 93W/230V + FAN + OPEN FAN GUARD	4510.305	1
1.1	MOTOR 40W/230V WITH CAPACITOR 2007 EDITION	4510.309	1
1.2	FAN 2007 EDITION	4510.315	1
1.3	OPEN FAN GUARD 2007 EDITION	4510.167	1
2.1	BASE FOR RESET LEVER	4510.611	1
2.2	RESET LEVER	4510.612	1
3.1	PIPE HANDLE	4510.171	2
3.2	TAP SCREW ST3,9x25	4510.817	8
3.3	PLASTIC DISTANCE 15mm	4510.603	8
3.4	PIPE CAP 12mm	4510.604	4
4	TOP COVER	S/R	1
5	SHELF	S/R	1
6	ROUND COVER	S/R	1
7	SIDE COVER	S/R	2
8	DOWN COVER	S/R	1
9	GRILL	4510.165	2
10	HEAT SHIELD	S/R	1
11	NAME PLATE	S/R	1
12	SUPPORT PLATE FOR RELAYS	4510.176	1
13	SCREW TERMINAL	4510.414	1
14	WASHER A5	4510.813	2
15	TAP SCREW M5x20	4510.834	1
16	WASHER A5,3	4510.833	1
17	NUT M5	4510.809	3
18	TAP SCREW M4x8	4510.814	2
19	TAP SCREW ST3,5x9,5	4510.801	2
20	TAP SCREW ST3,9x13	4510.818	34
21	TAP SCREW ST3,5x22	4510.827	8
22	TAP SCREW ST4,8x13	4510.832	16
23	TAP SCREW ST3,9x9,5	4510.802	30
24	TAP SCREW ST3,9x25	4510.817	4
25	CAPILAR THERMOSTAT	4510.416	1
26	HEATING ELEMENT 3666W	4510.356	6
27	SWITCH	4510.401	1
28	OVERHEAT SENSOR	4510.404	1
29	TEMP LIMITER	4510.405	1
29	TEMP LIMITER 2007 EDITION	4510.436	1
30	PLUG 63A (80)	4510.412	1
30	PLUG 63A (90)	4510.438	1
30	PLUG 32A (56) 2009 EDITION	4510.411	1
31	RELAY	4510.417	4
32	DATA PLATE	N/A	1
33	LABEL GROUND WIRE	4510.536	1
34	BELT	4510.608	2
35	CAPILAR SUPPORT	4510.609	2
36	KNOB	4510.610	2
37	DISTANS	4510.613	12
38	WIRE SET	S/R	1

N/A = Parts Not Available

S/R = Parts Available By Special Request Only